



Typical Raw Materials

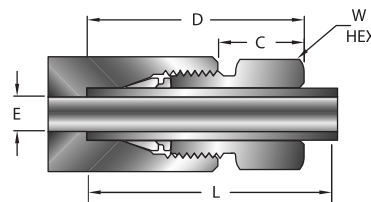
Master Suffix	Basic Fitting Material	Straights	Shapes
-SS	Stainless Steel (Type 316)	ASME/ASTM SA/A-479 Type 316-SS ASTM A-276 Type 316 BS970 316-S31 DIN/EN 1.4401	ASME SA-182 316 BS970 316-S31 DIN/EN 1.4401
-2507	Super Duplex (Type 2507)	UNS S32750 ASME/ASTM SA/A-479 DIN/EN 1.4401	UNS S32750 ASME/ASTM SA/A-479 DIN/EN 1.4401

If additional information, including heat code traceability, is required, contact Parker Hannifin or your nearest MPI™ Fitting distributor.

Tube End Dimensional Data

Size No.	Inches						
	Tube O.D.	Straight Thread	C	D	E (orifice)	*L	W Hex
4	1/4	1/2 - 20	.50	1.34	.13	1.62	9/16
6	3/8	5/8 - 20	.63	1.58	.25	1.88	11/16
8	1/2	13/16 - 20	.69	1.85	.31	2.25	15/16
9	9/16	7/8 - 20	.75	1.91	.38	2.25	1
10	5/8	15/16-20	.75	2.02	.44	2.43	1 1/16
12	3/4	1 1/8 - 18	.88	2.26	.52	2.75	1 1/4
16	1	1 7/16 - 18	1.13	2.88	.69	3.38	1 1/2

*L - Recommended Straight Length of Circular Un-bent tubing. Dimensions C and D are shown in the finger tight position. Dimensions in inches are for reference only, subject to change.



MPI™ Fittings

How To Order MPI™ Fittings

Dimensions in inches are for reference only, subject to change.

Parker MPI™ Fittings should be ordered using the part number as listed in this catalog.

Part numbers are developed as follows:

1. A combination of letters and numbers identifies the size and style of the fitting and the material used.
2. Tube and pipe thread sizes are designated by the number of sixteenths of an inch (1/4" tube = 4/16" or 4).

All standard MPI™ Fittings are manufactured from CW316 stainless steel as standard. 2507 Super Duplex Fittings and Valves can optionally be ordered by replacing "SS" ordering code with "2507".

Straights and Elbows: Specify MPI™ connection first or if inlet and outlet are both MPI™, specify largest connection size first.

Example:

Part number **4-4 HBMP7-SS** union made with 316 SS would have the specifications listed below.



4-4 HBMP7-SS

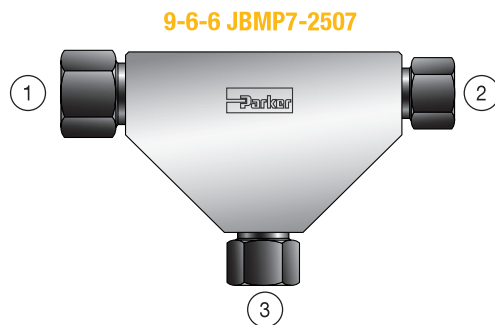
4	-	4	H	B	MP7	-	SS	- Options
1/4" Tube		1/4" Tube	Shape Designator, Union	Assembled with Nut and Ferrules	Medium Pressure Inverted		Stainless Steel	

Customer Requests: When special configurations are required, please contact your Parker Representative with application details for a custom quotation.

Tees:

Example:

Part number **9-6-6 JBMP7 -2507** union made from 2507 Super Duplex union would have the specifications listed below.



9-6-6 JBMP7-2507

9	-	6	-	6	J	B	MP7	-	2507	- Options
9/16" Tube (1)		3/8" Tube (2)		3/8" Tube (3)	Shape Designate, Union Tee	Assembled with Nut and Ferrules	Medium Pressure Inverted		2507 Super Duplex	

To order "vented" (weep holes) MPI™ parts, add "-VT" to the end of the standard part number (e.g., 6-6 HBMP7-SS becomes 6-6 HBMP7-SS-VT).